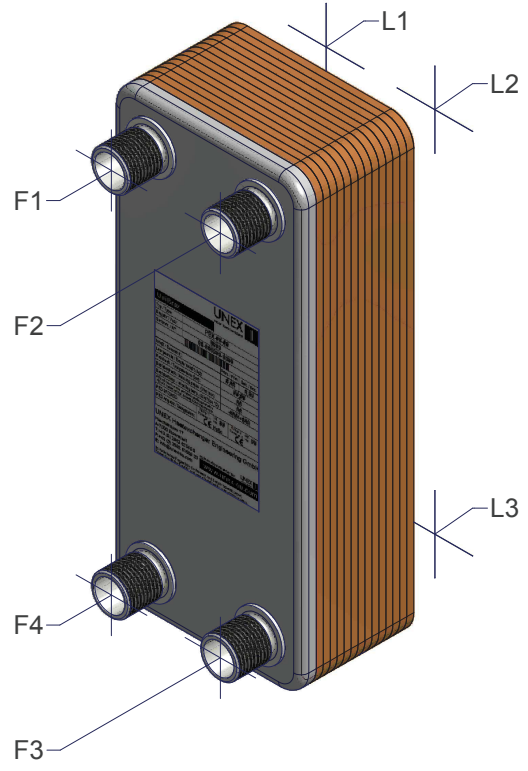
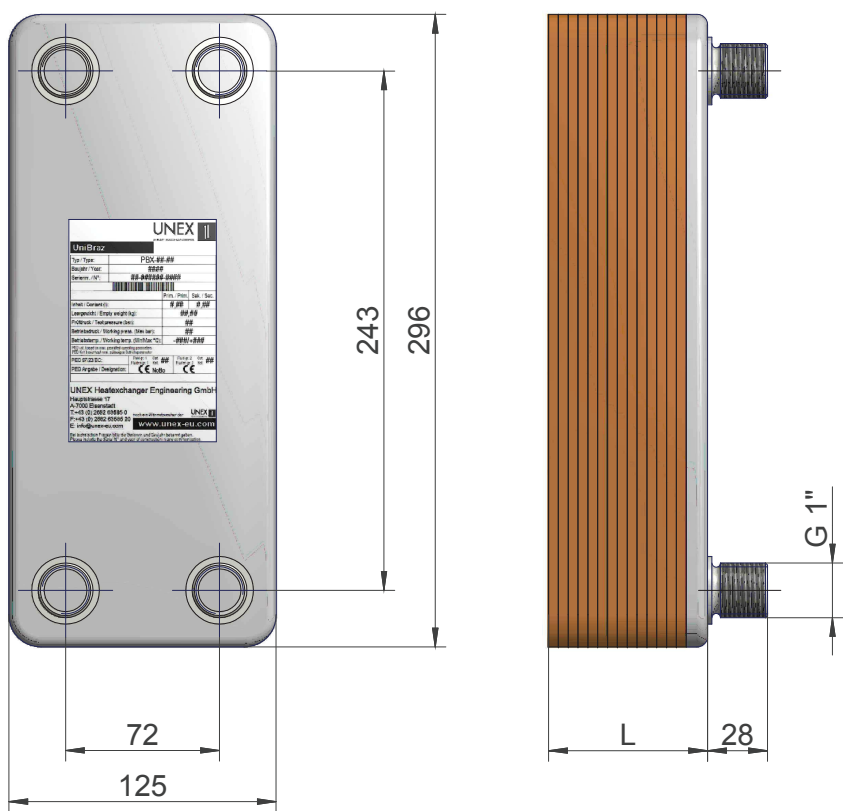


Side 1 Side 2



Exchanger connection options	
<b>Standard</b>	G 1" - 28mm long
<b>Alternative</b>	G5/4", HEX, Solder
<b>Other</b>	On request
<b>Additional</b>	On rear positions L1 to L4
<b>Studs &amp; Bolts</b>	On request

Insulation options	Example picture
<b>Aluminium coated PU foam</b> Heating applications to +150°C (Peak)	
<b>Self-adhesive rubberised</b> Cooling applications -50 to +105°C	
<b>Easy-fit shell</b> Heating applications to +135°C	
<b>PROTEX pre-insulated</b> Heating & cooling applications -50 to +150°C (Peak)	

Mounting options	Example picture
<b>Wall Connection Set</b> Simple, compact & professional mount using the exchanger connections	
<b>Angled Wall Bracket</b> "L" bracket including strap & screws	

Detachable pipe connection options	Example picture
<b>VER 20</b> From G1" to DN20 weld (2 pcs/set)	
<b>VER 22</b> From G1" to 22 mm solder (2 pcs/set)	
<b>VER 3/4</b> From G1" to 3/4" thread (2 pcs/set)	
<b>VEROR1</b> From G1" to 1" thread - reduction-free (2 pcs/set)	

Amount of plates	10	14	20	24	30	34	40	44	50	60	70	80	90	100	110	120	130	140	150
Volume Side 1 (l)*	0.26	0.38	0.58	0.70	0.90	1.02	1.22	1.34	1.54	1.86	2.18	2.50	2.82	3.14	3.46	3.78	4.10	4.42	4.74
Volume Side 2 (l)*	0.32	0.45	0.64	0.77	0.96	1.09	1.28	1.41	1.60	1.92	2.24	2.56	2.88	3.20	3.52	3.84	4.16	4.48	4.80
Max working pressure (bar)	30																		
Min / Max temperature (°C)	-195 / +195																		
PED Class Group 1 (Category)																			
PED Class Group 2 (Category)	SEP									I									
Plate packet depth L(mm)*	32.0	41.2	55.0	64.2	78.0	87.2	101.0	110.2	124.0	147.0	170.0	193.0	216.0	239.0	262.0	285.0	308.0	331.0	354.0
Net Weight Empty (kg)	2.6	3.1	3.8	4.2	4.9	5.3	6.0	6.4	7.1	8.2	9.4	10.5	11.6	12.7	13.8	15.0	16.1	17.2	18.3
Heat Transfer Area (m²)	0.32	0.48	0.72	0.88	1.12	1.28	1.52	1.68	1.92	2.32	2.72	3.12	3.52	3.92	4.32	4.72	5.12	5.52	5.92

**Where appropriate the following European standards and regulations were used during design and construction:**

97/23/EC (Pressure Equipment Directive)  
 EN 1148 (Water to water heat exchangers for district heating)  
 EN 10272 (Stainless steel bars used for pressure purposes)  
 EN 10028-7 (Stainless steel flat products used for pressure purposes)  
 Please ask your sales partner if you require other standards or certification to be applied.

EN 13445 (Unfired Pressure Vessels )  
 ISO 2768-m (General tolerances class "m")  
 ISO 228-1 ("G" Thread BSP parallel)

©2014 Errors, Omissions and Technical Alterations excepted  
 Connections : 1.4301 (304) / Plates : 1.4404 (316L) / Braze : Cu 99.9%

Sizes in mm unless otherwise shown

<b>UNEX</b> HEAT EXCHANGERS		UNEX Heatexchanger Engineering GmbH Hauptstrasse 17 A-7000 Eisenstadt Austria	www.unex-eu.com info@unex-eu.com Tel: + 43 (0) 2682 635 85 0 Fax: + 43 (0) 2682 635 85 20	<b>Scale</b> <b>M 1:3 (A3)</b>
--------------------------------	--	---	--	-----------------------------------

* Calculated values (final tolerance to ISO 2768-m)			
Status	Change	Date	Name

Date	Name	PBU10_STD_14_Rev00
Drawn by	12.08.2014 MPI	
Checked by	09.10.2014 DRO	