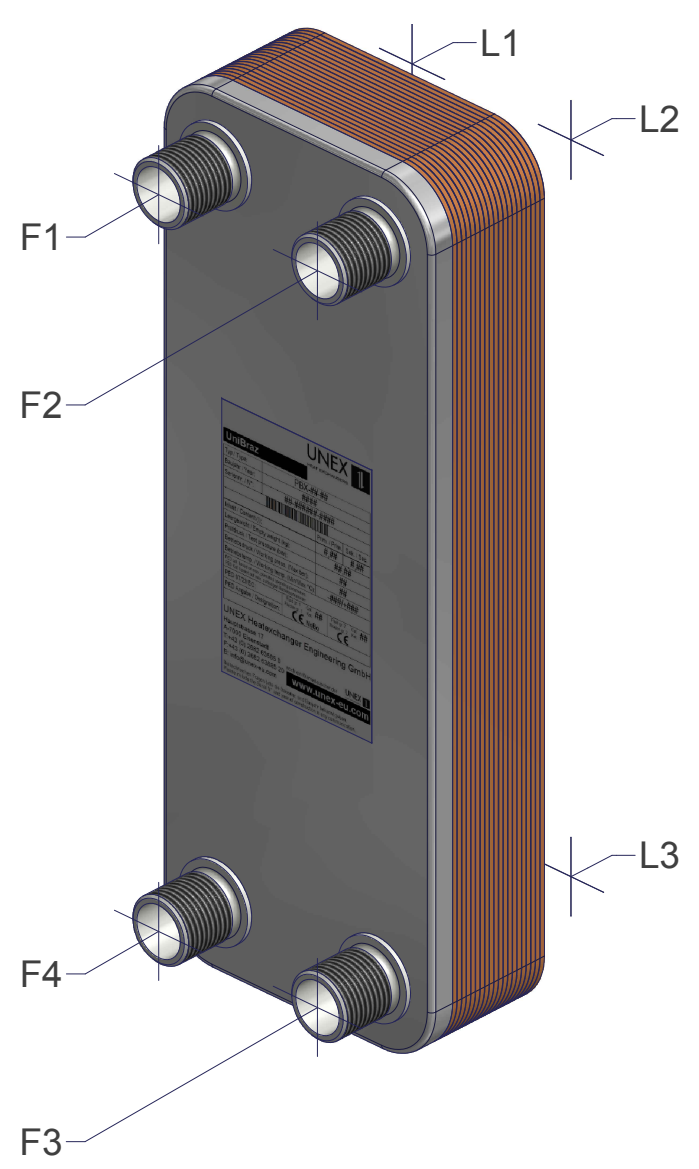
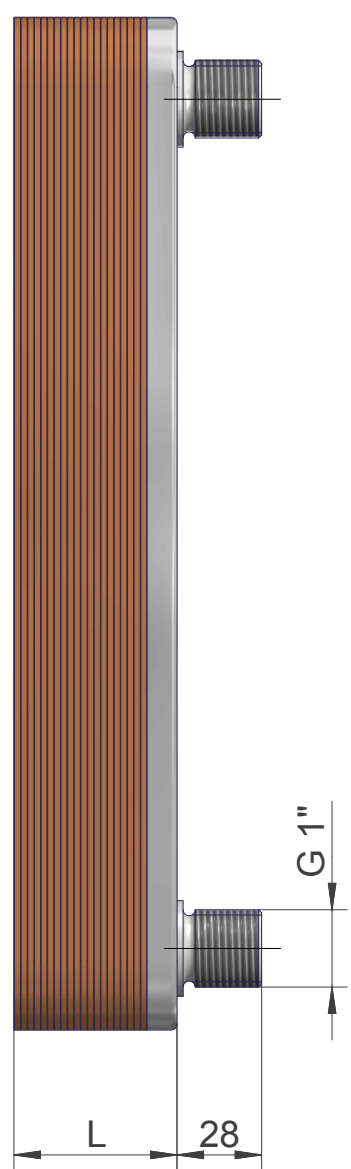


Side 1 Side 2



Exchanger connection options	
Standard	G 1" - 28mm long
Alternative	G 5/4", Solder
Other	On request
Additional	On rear positions L1 to L4
Studs & Bolts	On request

Insulation options	Example picture
Aluminium coated PU foam Heating applications to +150°C (Peak)	
Self-adhesive rubberised Cooling applications -50 to +105°C	

Mounting options	Example picture
Angled Wall Bracket "L" bracket including strap & screws	

Detachable pipe connection options	Example picture
VER 20 From G1" to DN20 weld (2 pcs/set)	
VER 22 From G1" to 22 mm solder (2 pcs/set)	
VER 3/4 From G1" to 3/4" thread (2 pcs/set)	
VEROR1 From G1" to 1" thread - reduction-free (2 pcs/set)	

Amount of plates	10	14	20	24	30	34	40	44	50	60	70	80	90	100
Volume Side 1 (l)*	0.26	0.39	0.59	0.72	0.91	1.04	1.24	1.37	1.56	1.89	2.21	2.54	2.86	3.19
Volume Side 2 (l)*	0.33	0.46	0.65	0.78	0.98	1.11	1.30	1.43	1.63	1.95	2.28	2.60	2.93	3.25
Max working pressure (bar)	30													
Min / Max temperature (°C)	-196 / +200													
PED Class Group 1 (Category)	SEP				Cat.I				Cat.II					
PED Class Group 2 (Category)	SEP								Cat.I					
Plate packet depth L(mm)*	31.9	40.9	54.3	63.3	76.7	85.7	99.1	108.1	121.5	143.9	166.3	188.7	211.1	233.5
Net Weight Empty (kg)	2.9	3.4	4.2	4.7	5.5	6.0	6.8	7.3	8.1	9.4	10.7	12.0	13.3	14.6
Heat Transfer Area (m²)	0.28	0.42	0.63	0.77	0.98	1.12	1.33	1.47	1.68	2.03	2.38	2.73	3.08	3.43

Where appropriate the following European standards and regulations were used during design and construction:

97/23/EC (Pressure Equipment Directive)
 EN 1148 (Water to water heat exchangers for district heating)
 EN 10272 (Stainless steel bars used for pressure purposes)
 EN 10028-7 (Stainless steel flat products used for pressure purposes)
 Please ask your sales partner if you require other standards or certification to be applied.

EN 13445 (Unfired Pressure Vessels)
 ISO 2768-m (General tolerances class "m")
 ISO 228-1 ("G" Thread BSP parallel)

©2015 Errors, Omissions and Technical Alterations excepted
 Connections : 1.4301 (304) / Plates : 1.4404 (316L) / Braze : Cu 99.9%
 Sizes in mm unless otherwise shown
 Cu - Free version also available

	UNEX Heatexchanger Engineering GmbH Hauptstrasse 17 A-7000 Eisenstadt Austria	www.unex-eu.com info@unex-eu.com Tel: + 43 (0) 2682 635 85 0 Fax: + 43 (0) 2682 635 85 20	Scale M 1:2.5 (A3)
	Date Name Drawn by 24.04.2015 AWU Checked by 27.04.2015 DRO		

* Calculated values (final tolerance to ISO 2768-m)

Status	Change	Date	Name

PB11_STD_15_Rev00